



### Mizar LED lights

## MIZAR 24 MONO



- Made of AISI 316 L stainless steel, 3-8 mm thick
- 24 V<sub>DC</sub> - 24 W max power
- Onboard LED driver - No external LED drivers
- Highly performing monochrome white LEDs
- Specific optics for superior illumination
- 10 m of H07RN-F submersible cable
- Fast IP68 plug&play connector upon request
- IP68 protection rate up to 15 m of depth
- Demountable and accessible in every part in case of maintenance

Resulted from a specific engineering design, the next generation underwater LED fountain light Mizar 24 Mono is cutting-edge thanks to the electronics fully integrated in the inside (no other driver nor electronic interface device needed externally).

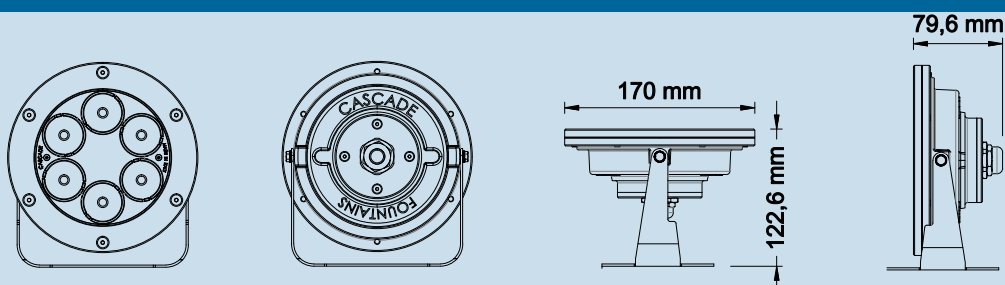
The underwater LED light Mizar 24 Mono exploits high-performance monochrome next generation LEDs.

In the standard version, it is complete with 10 m of a two-conductor H07RN-F 2x1,5 mm<sup>2</sup> cable suitable to be used underwater. Upon request, it can be supplied with different cable length or with an IP68 PLUG&PLAY underwater connector to ease and fast the installation and possible maintenance of the light.

Provided with an AISI 304 stainless steel support allowing the orientation of the light towards the water jet.

The body, the cover, the cable gland and the screws are made of AISI 316 L stainless steel. The high-performance silicone rubber gaskets together with the engineering design make the light totally IP68, suitable for permanent immersion without using any resin, but at the same time entirely demountable and accessible in every part in case of need for maintenance.

#### DIMENSIONS

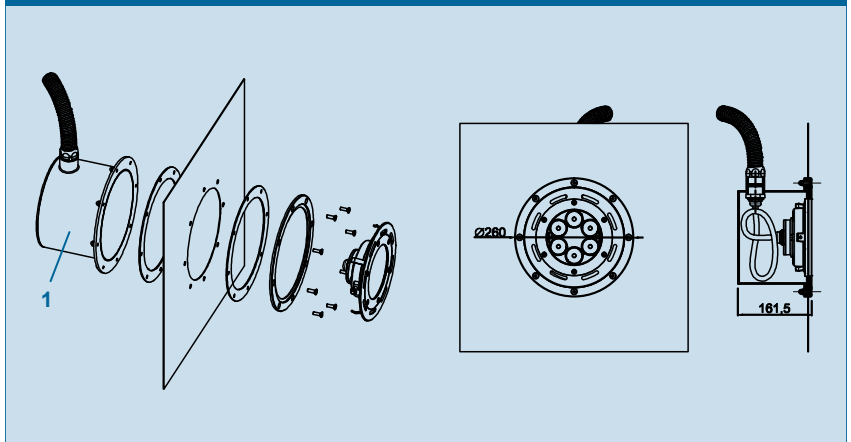


MIZAR 24 MONO		
CODE	LED24C	LED24F
SUPPLY VOLTAGE	24 Vdc	
MAXIMUM POWER	24 W (4 W x 6 LED)	
ONBOARD ELECTRONICS	LED driver	
LEDs	6 x Power multi-chip LEDs WHITE	
COLOUR	Warm white (2600-3800°K)	Cool white (5000-10000°K)
LUMINOUS FLUX	2700 lm	3600 lm
LIGHT BEAM	25° - 35°	
MATERIAL	AISI 316 L stainless steel	
PROTECTION RATE	IP68	
WEIGHT	3 kg	

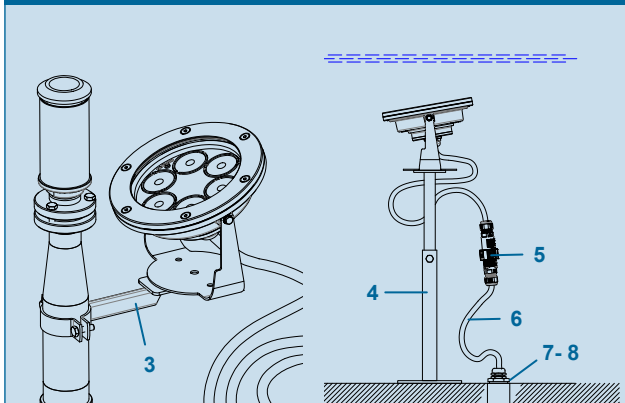
CABLE	
TYPE	H07RN-F – Submersible
STANDARD LENGHT	10 m
CONDUCTORS	2×1.5 mm <sup>2</sup>
MAX DIAMETER	9 mm

ACCESSORIES	CODE
1 RECESS FOR MIZAR 24 LINER CLOTH	LEDNIC24L
2 RECESS FOR MIZAR 24	LEDNIC24
3 LIGHTS ANCHORAGE	See Anchorages
4 FLOOR SUPPORT FOR LIGHTS	APTE / APFI
5 IP68 UNDERWATER CONNECTOR	CONSUB2
6 2×1.5 mm <sup>2</sup> EXTENSION CABLE	CV15
7 IP68 SS UNDERWATER FEED-THROUGH	PASINOX
8 IP68 PVC UNDERWATER FEED-THROUGH	PASPVC

**BUILT-IN INSTALLATION WITH LINER CLOTH**



**POOL INSTALLATION WITH ANCHORAGE OR FLOOR SUPPORT**



**BUILT-IN INSTALLATION WITH MASONRY TANK**

